

AIWR Series Alarm Annunciator

Operation Manual

Ver. 2.2.1

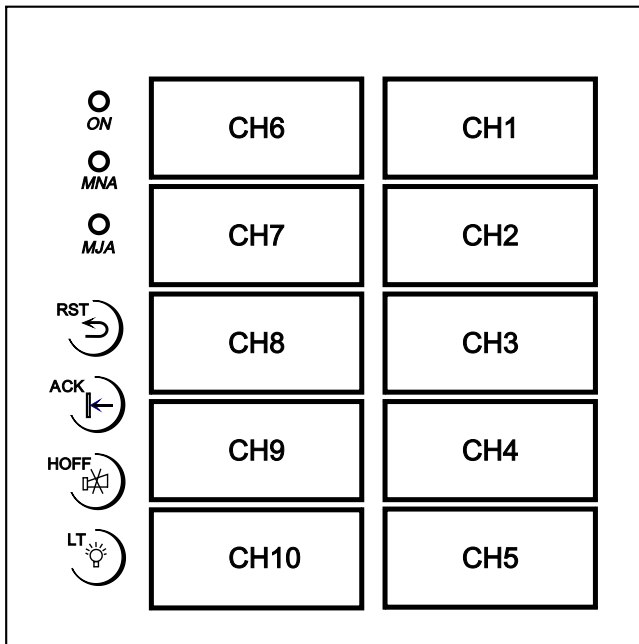


3-350 John Street, Thornhill, L3T 5W6, Ontario, Canada

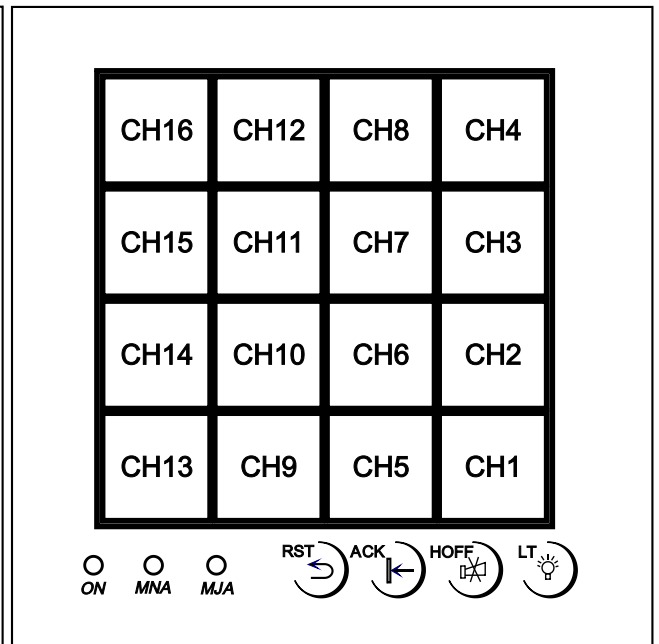
Tel.: +1 289 597 2739 Fax: +1 289 597 2200 Email: mail@annunciator.ca

www.ANNUNCIATOR.ca

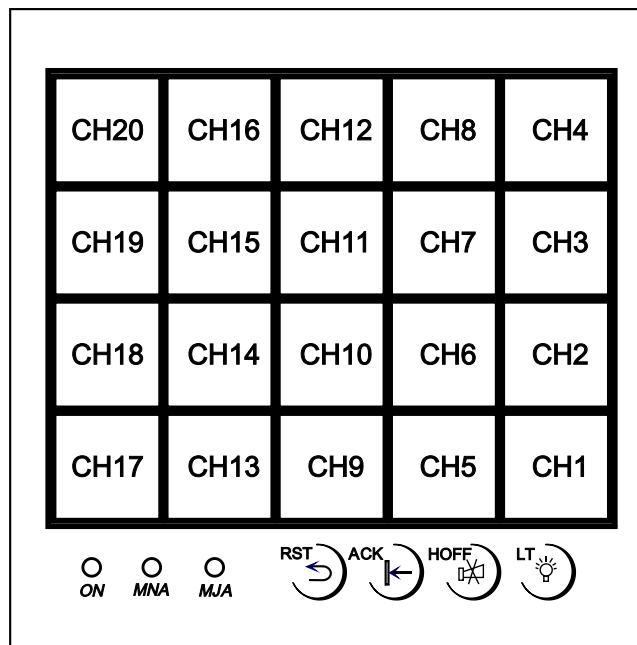
Window Arrangement



10 Channel Alarm Annunciator (AI10WR)

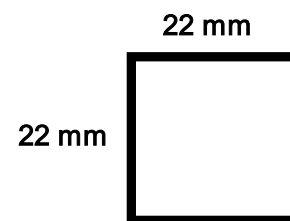
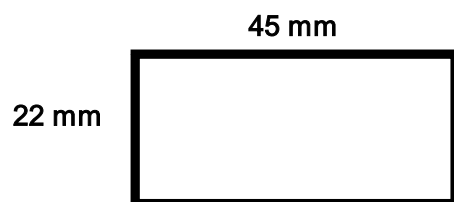


16 Channel Alarm Annunciator (AI16WR)



20 Channel Alarm Annunciator (AI20WR)

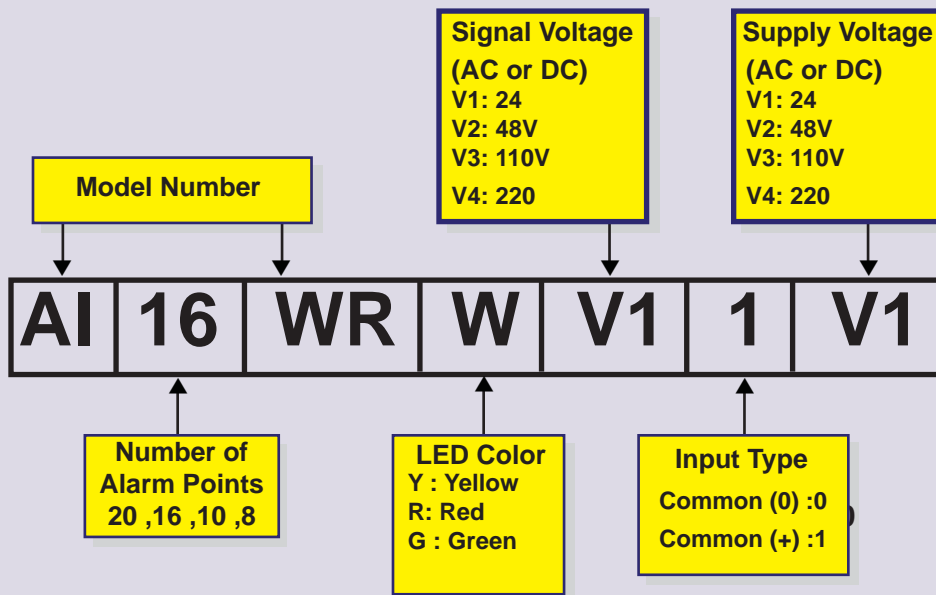
Window Dimension (1:1)



System Specification

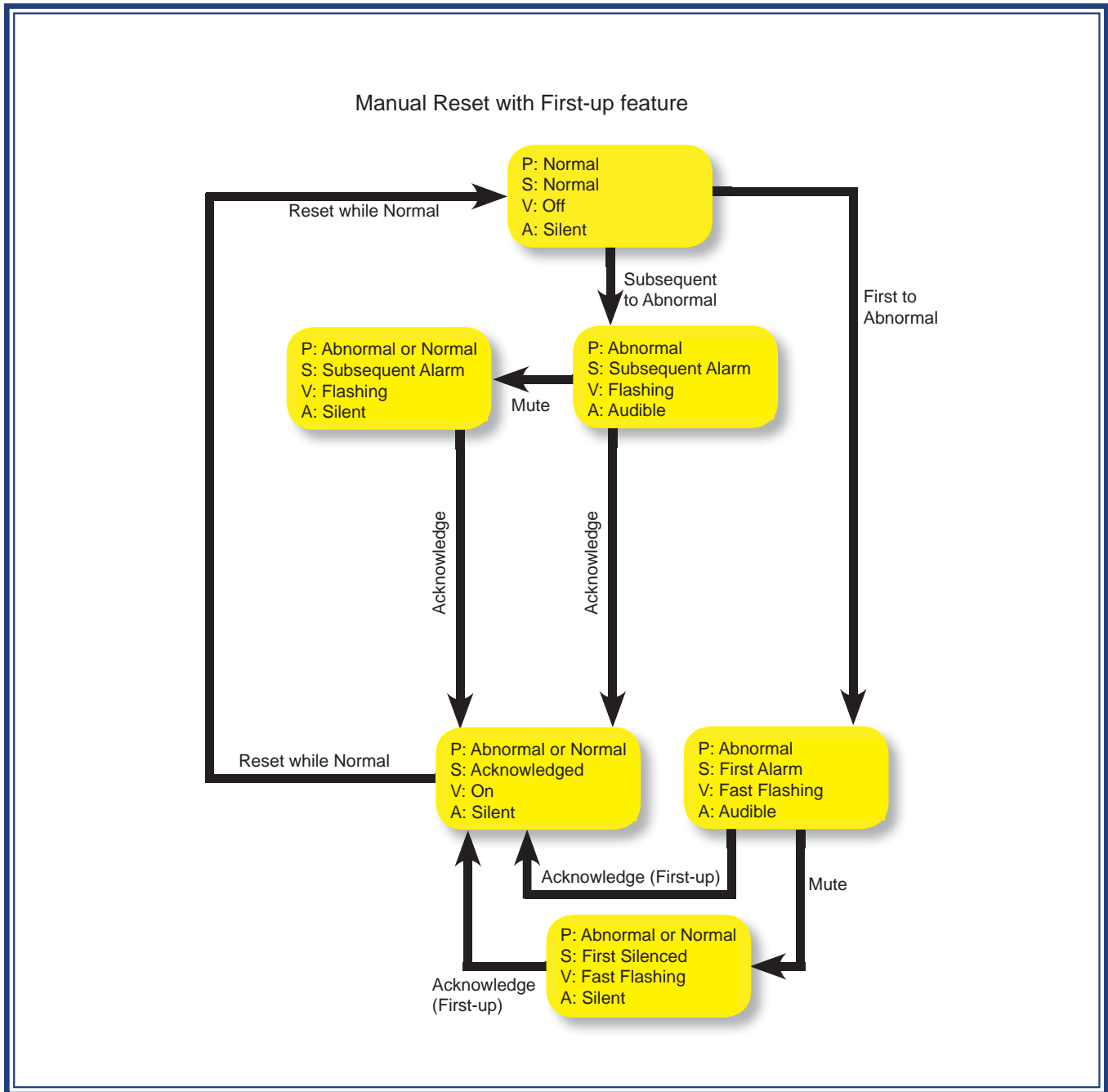
- Alarm Channels (Windows): 8, 10, 16, 20 •
- Pushbuttons: Acknowledge, Reset, Test and Mute •
- Flush Mounting •
- Selectable Auto Horn Off Feature •
- Sequence: Code-M of ISA-S18.1 (Manual Reset) with First-up feature •
- Cabinet Size: 144x144mm, 96x96mm •
- Cutout Size: 140x140mm •
- Window Size: 22x22mm, 22x45mm •
- Illumination: Long Life LEDs •
- LED's Color: Yellow, Red, Green •
- Alarm Labeling: Translucent Film •
- One Logic Controller for four Alarm Points •
- Isolation: Opto Isolated Inputs, Relay Outputs •
- Signal Voltage: 24V, 48V, 110V, 220V, DC or AC •
- Alarm Input: Consumption: 5mA @220VAC •
- Output: Two Dry Contacts Normally Open - Major(Critical) / Minor(Non Critical) •
- Output Relays: 1A@240VAC/1.2A@120VAC/1.2A@24VDC •
- Multi-unit Synchronization: Flashing & Auto Horn Off Synchronization •
- Maximum Units of Multi-unit Application: 5 Units •
- Power Supply: 24V, 48V, 110V, 220V (DC or AC) •
- Power Consumption: Max. 30 Watts •
- Operating Temperature: -10 to 50 °C •
- Operating Humidity: 0-95% RH, Non Condensing •

Options and Order Number



Alarm Sequences

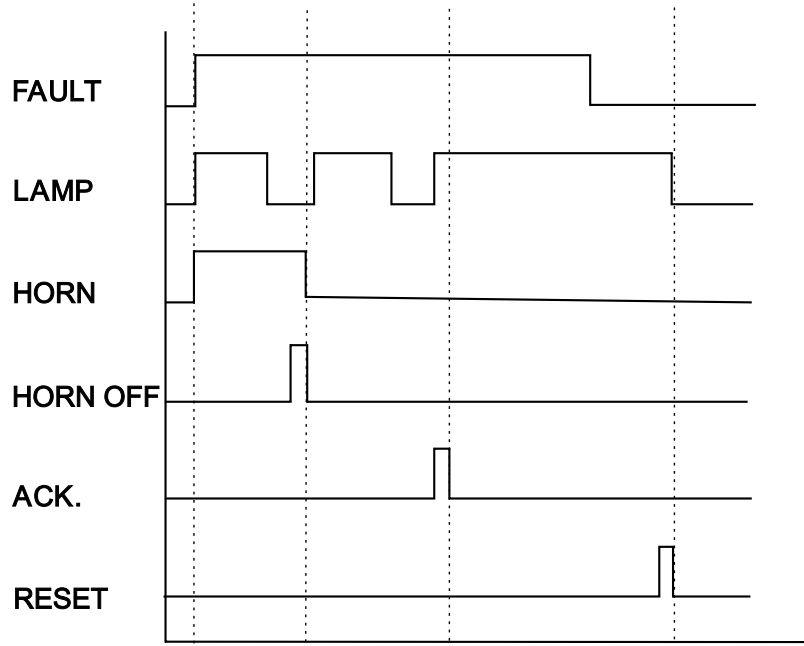
The AIWR Series Alarm Annunciator follows the “Manual Reset” (M) Sequence as listed in the ISA publication *Annunciator Sequences and Specification S18.1, 1979* with First-up feature as shown below:



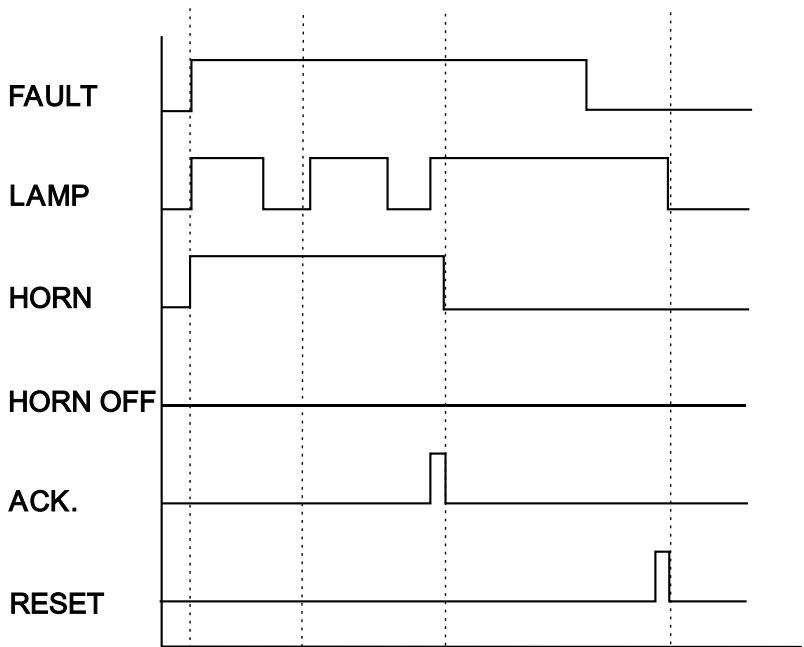
Legends:

P: Process S: Sequence V: Visual A: Audible AA: Alarm Audible RA: Ringback Audible

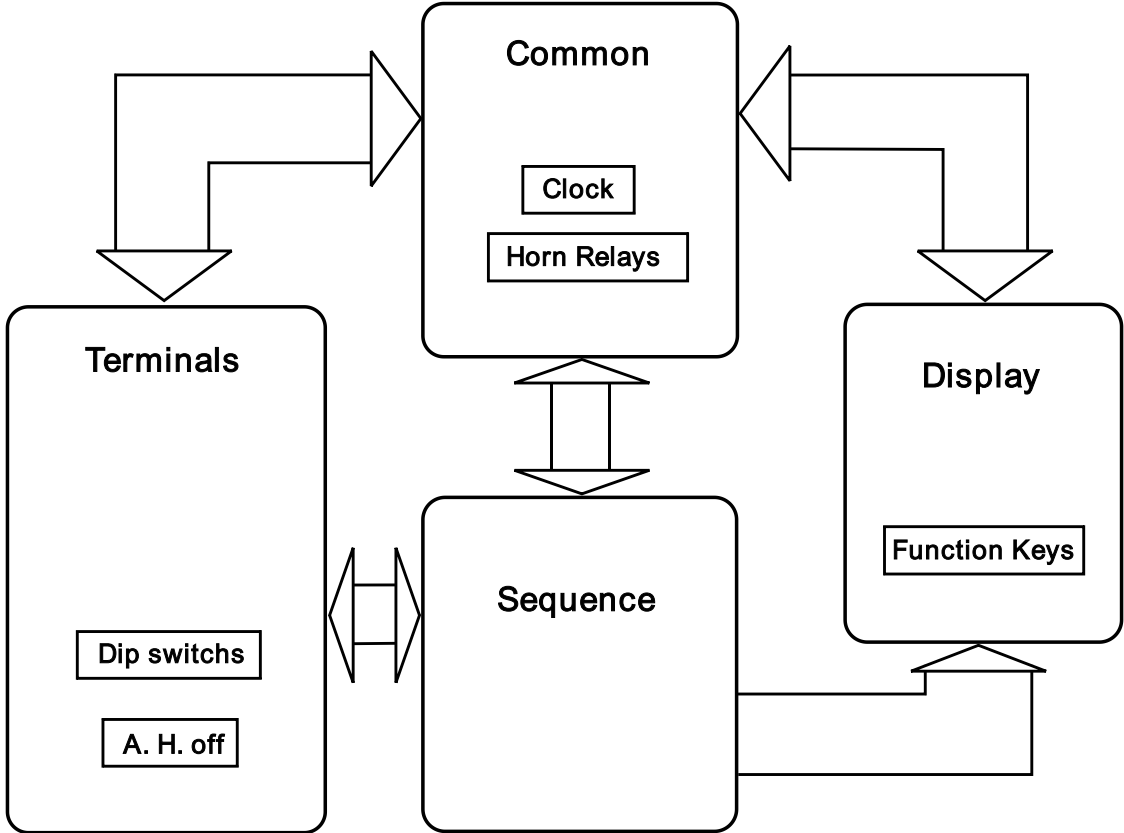
A



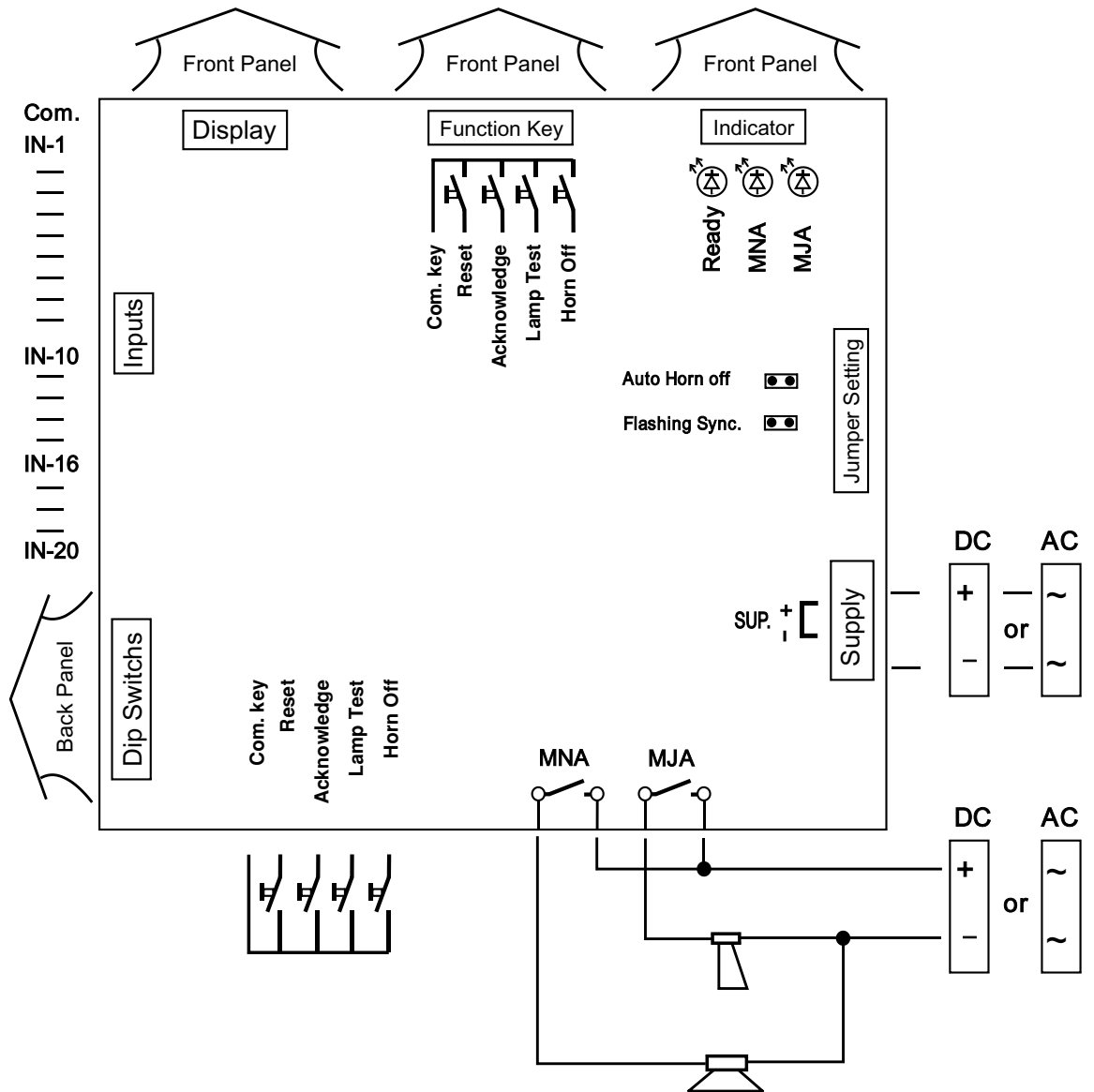
B



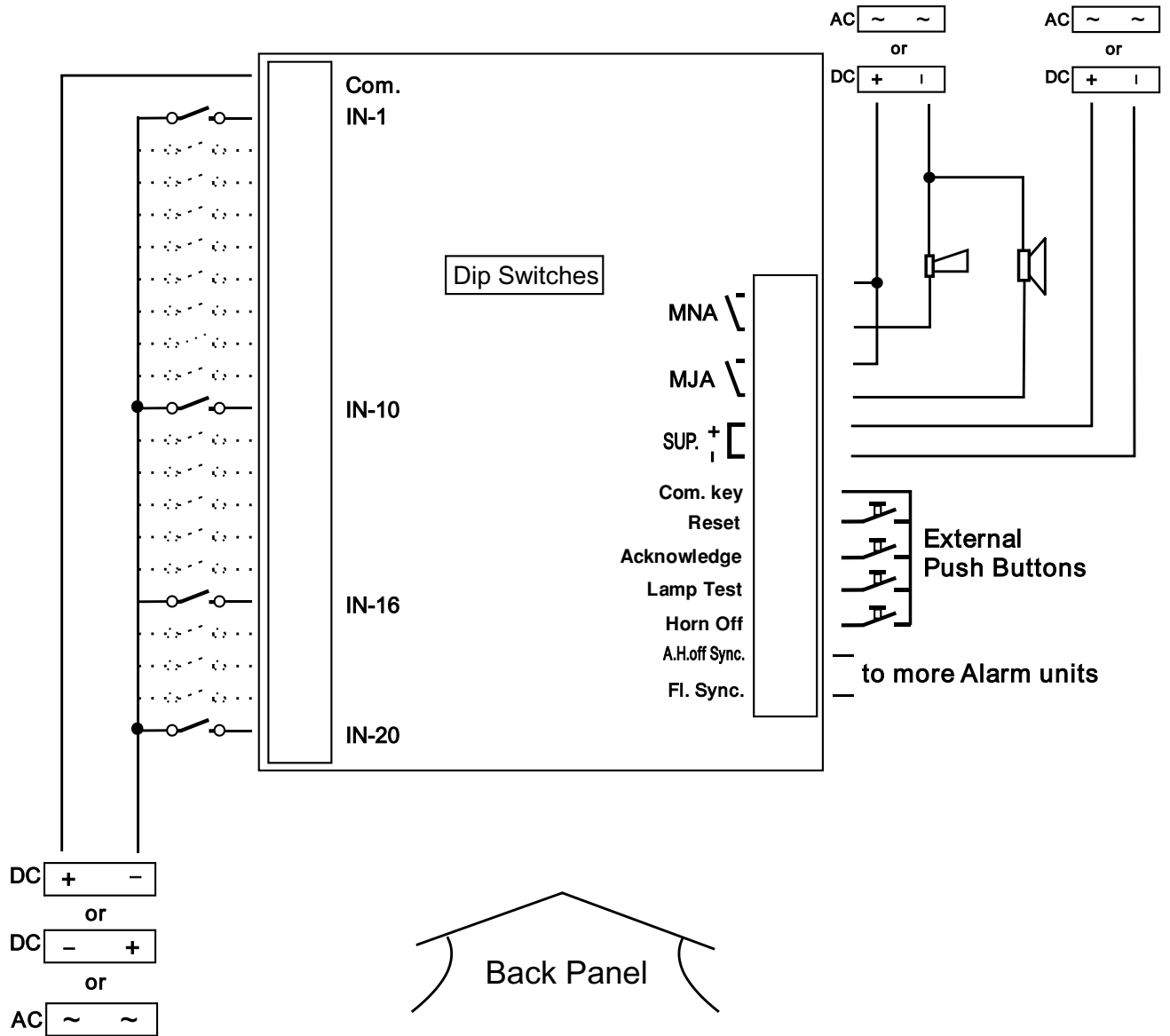
Block Diagram (1)



Block Diagram (2)



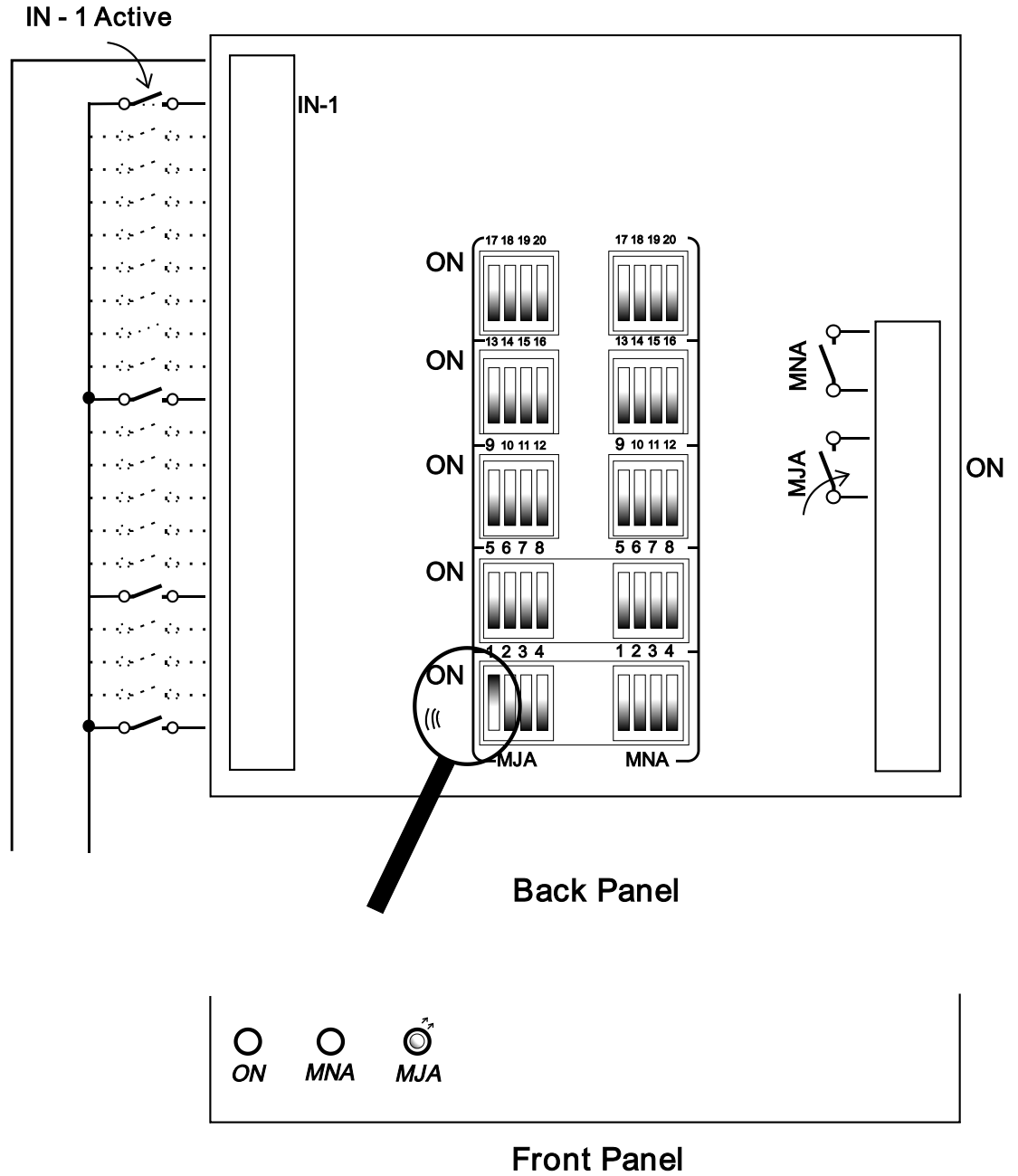
Wiring Diagram



Dip Switch Setting

Position (1)

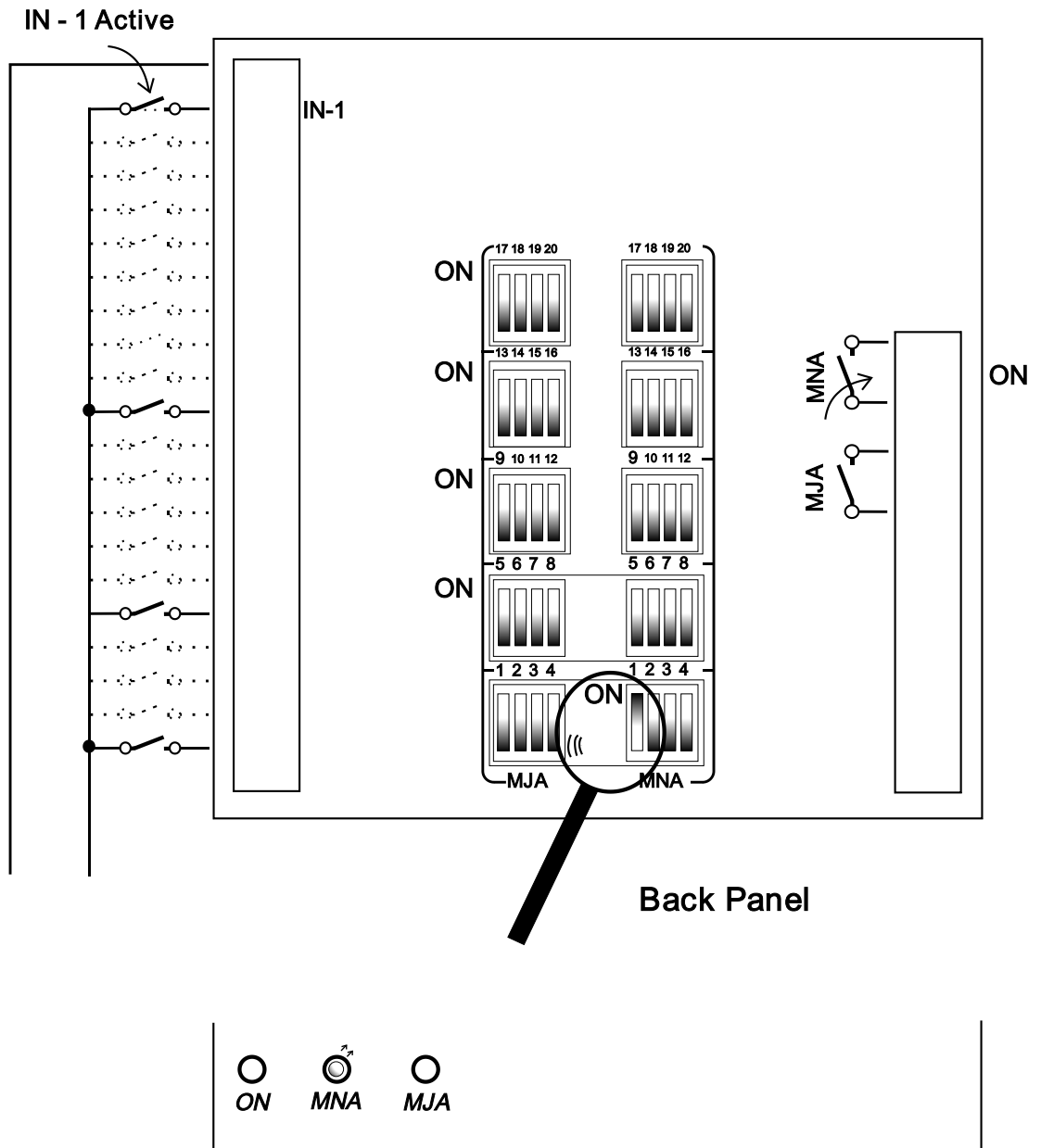
Select Critical(MJA) / Non-critical(MNA) selector



Dip Switch Setting

Position (2)

Select Critical(MJA) / Non-critical(MNA) selector

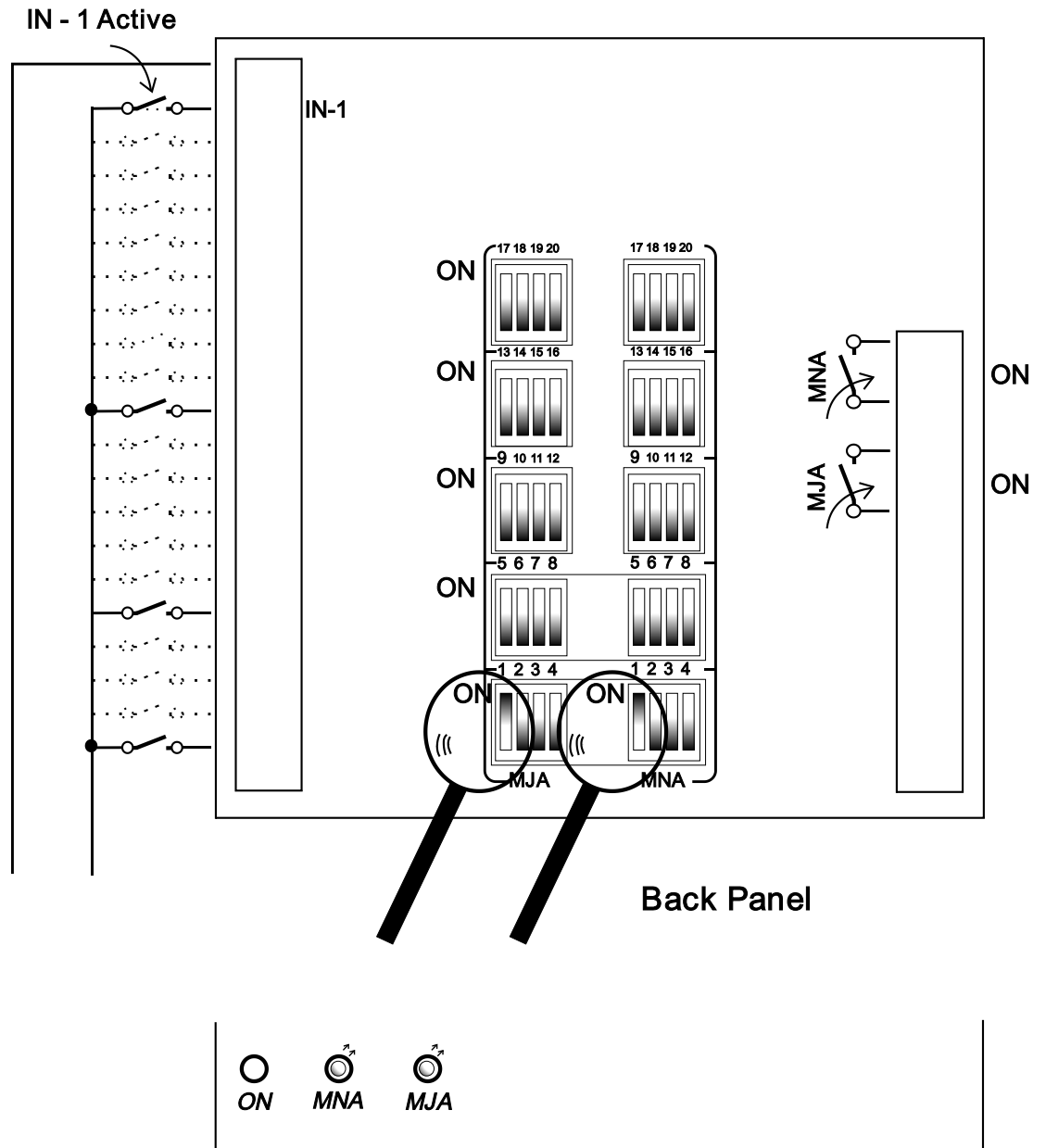


Front Panel

Dip Switch Setting

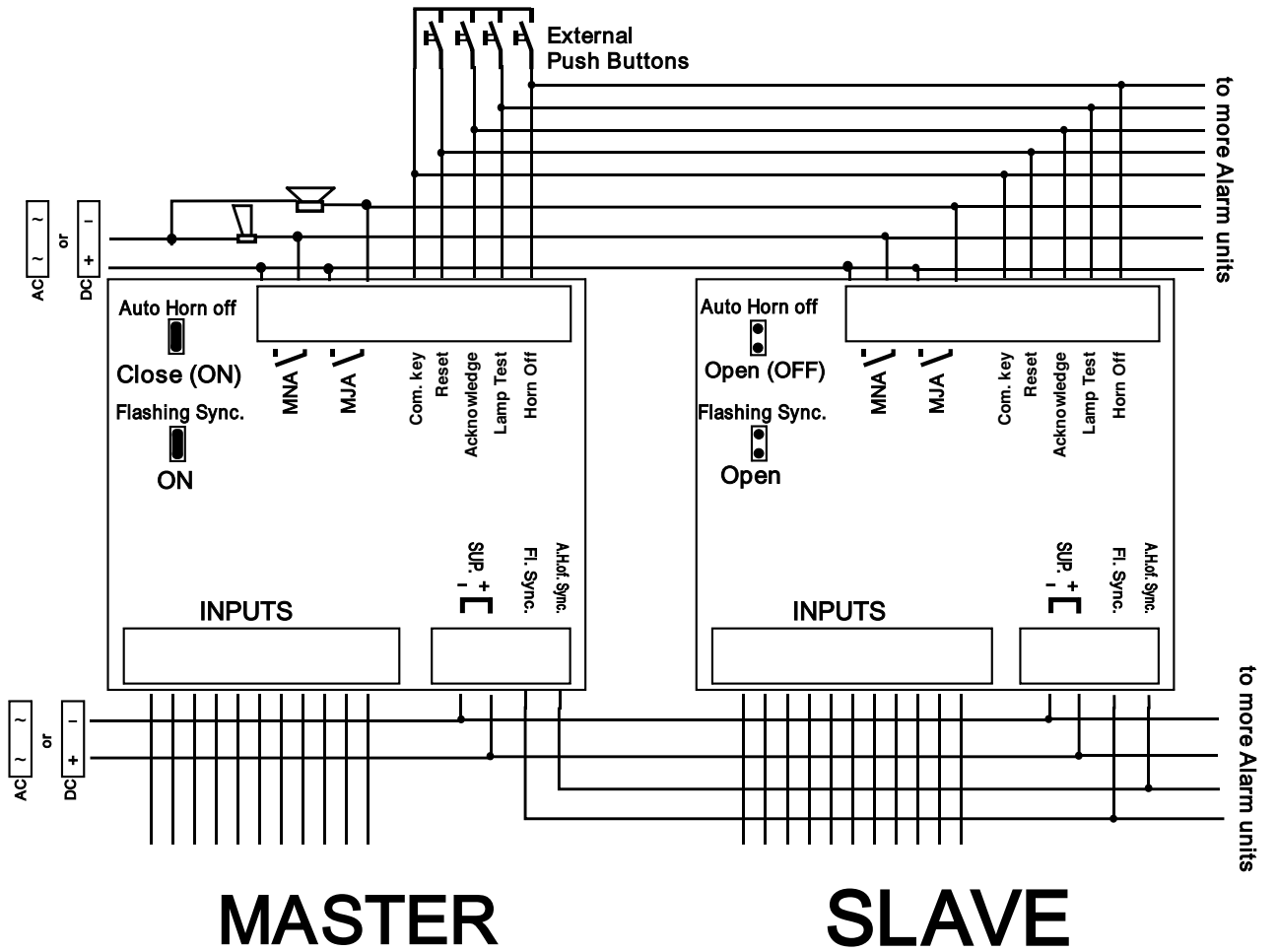
Position (3)

Select Critical(MJA) / Non-critical(MNA) selector



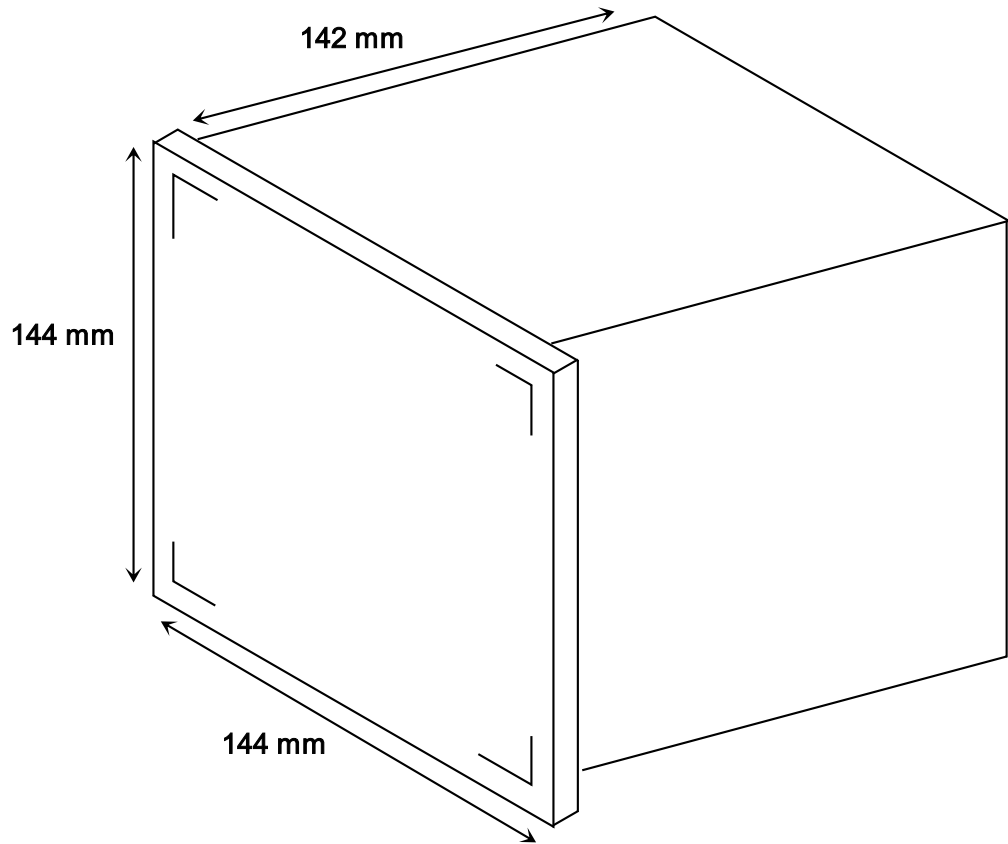
Front Panel

Wiring Diagram & Jumper Setting of Multi-unit Application

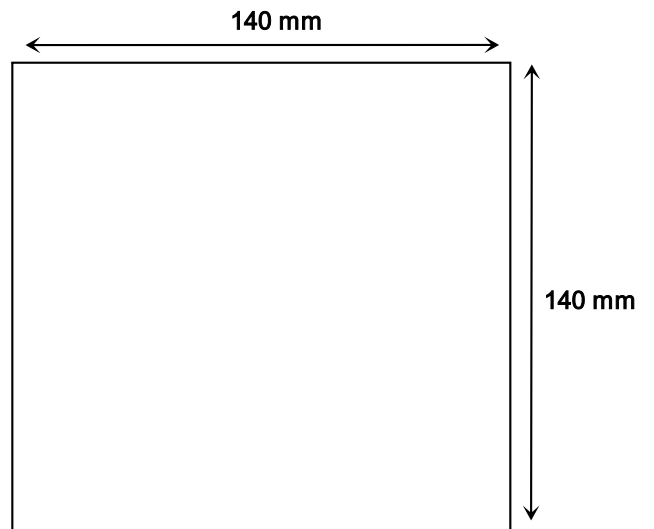


Note: Flashing Synchronisation Jumper should be closed (ON) for Single-unit application

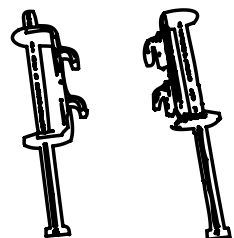
Overall Size:



Cutout Size:



Flush Mounting: By 2 Screw Type Clamps



Note

Warranty Policy

We warrant that all products manufactured and sold by us are free from defects in material and workmanship and those products of our design are fit for the purpose intended by us when properly installed and wired according to instructions and national, state and local codes and kept free of dirt and rust.

All products manufactured or sold by us are warranted for a period of twelve (12) months after the product is first in put in to use, or not more than fourteen (14) months after date of shipment, whichever shall expire first, Provided that written notice has been given us within thirty (30) days after first discovery of any defects.

The extend of our liability for breach of such warranty, when such is shown to our satisfaction, and the product has become impaired for the use for which it was intended by us, shall be limited to the replacement or repair of such product or part thereof, F.O.B Toronto, Canada.

APEX ANNUNCIATORS assumes no liability for inconvenience or labor cost incurred. Goods returned without our authorization will not be accepted.

THE FOREGOING WARRANTY IS EXCLUSIVE AND IS IN LIEU OF ALL OTHER WARRANTIES OF FITNESS AND MERCHANTABILITY.

